

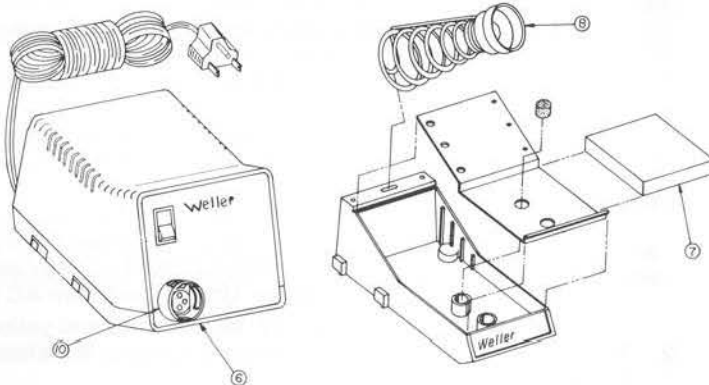
CUSTOMER SERVICE

Should your WTCPT Require repair, it may be sent to the following address:

COOPER TOOLS - WELLER®/WIRE-WRAP® PLANT
 815 State Road
 Cheraw, SC 29520
 Attn: Repair Dept.

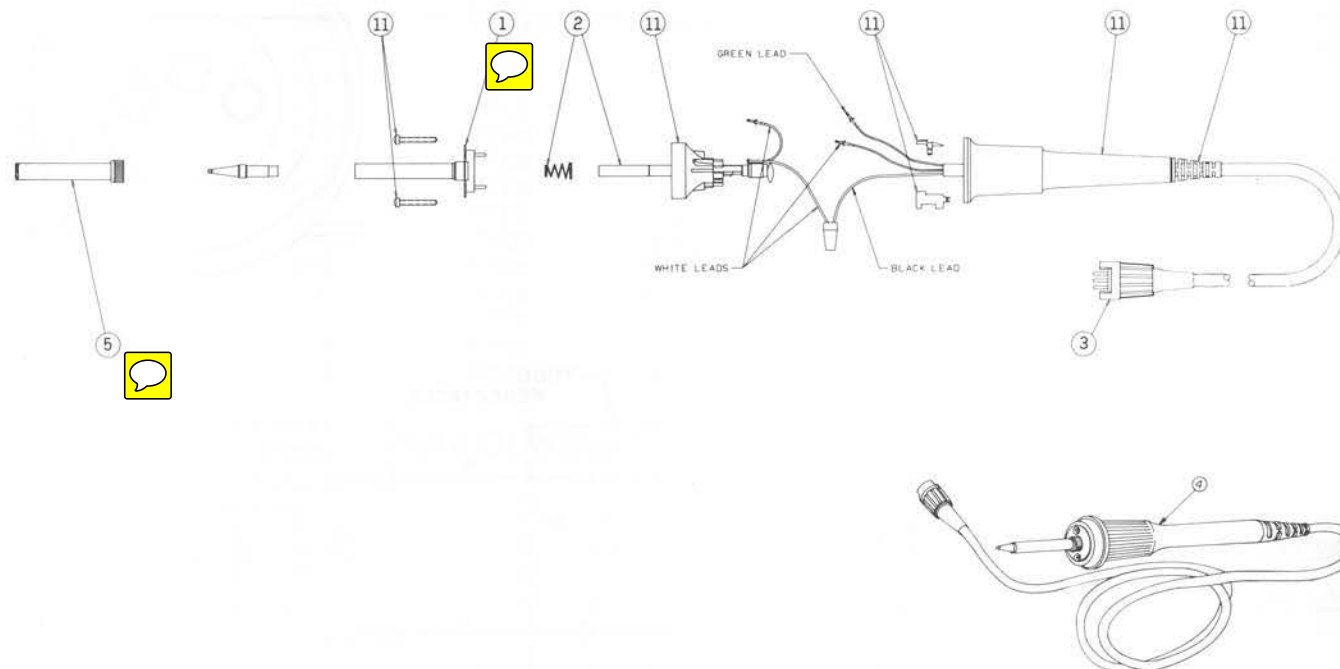
Replacement Parts For The WTCPT

Key No.	Part No.	Description
1	EC234	Heater
2	SW60	Switch assembly with spring
3	TC217	Cordset with plug
4	TC201T	Soldering iron with PTA7 tip
5	BA60	Barrel nut assembly
6	PU120T	Power unit only, WTCPT, 120V
6a	PU240T	Power unit only, WTCPTD, 240V
7	TC205	Sponge
8	TC204	Spring and funnel for iron stand
9	PH1201ESD	Iron stand with spring and funnel
10	PL120	Plug/receptacle kit
11	TC218	Handle assembly
Not Shown	SHA1	Cushion grip sleeve
Not Shown	SW130	Switch, 120VAC, WTCPT
Not Shown	SW230	Switch, 240VAC, WTCPTD
Not Shown	TR215	Power transformer, 120VAC, WTCPT
Not Shown	TR216	Power transformer, 240VAC, WTCPTD



技术咨询与报价

电话: 18823303057 QQ:2104028976



Optional Parts For The WTCPT

Part No.	Description
DPH-2	Dual iron holder stand
SF60	Tool funnel for SMT tips
SMTA6	600° F Surface mount tip adapter for TC201T
SMTA7	700° F Surface mount tip adapter for TC201T
SMTA8	800° F Surface mount tip adapter for TC201T
WPB1	WELLER® tip polishing bar